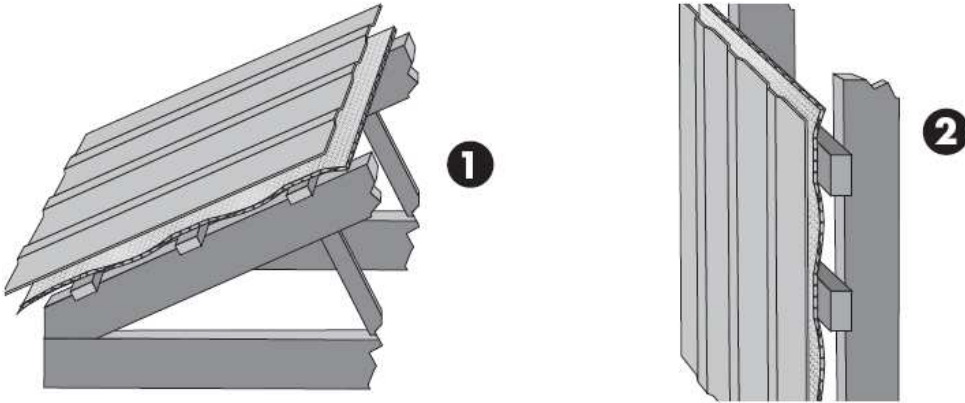


# INSTALLATION SHEET

## Post Frame Building-New

**PRODUCT:** Double Bubble Foil/Foil or White/Foil Insulation



### **Benefits:**

- Quick, clean and easy to install
- Reduces Radiant Heat loss/gain and adds R-Value
- Unaffected by condensation and humidity
- Excellent Vapor Barrier

### **Installation Method:**

#### **Roof**

1. Start at end truss and attach Double Bubble Insulation to end truss purlin.
2. Unroll Bubble Insulation, staple to purlins while draping it between to allow a 1" air space.
3. Seal all seams with Reflective Foil/White Tape.
4. Attach new metal roof panels over insulation as typically installed.

#### **Walls**

1. Attach Double Bubble Insulation securely to end wall purlin.
2. Unroll the Bubble Insulation and staple to purlins while draping it between to allow a 1" air space.
3. Seal all seams with Reflective Foil/White Tape.
4. Attach new metal siding panels over insulation as typically installed.

